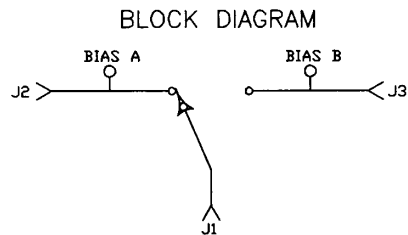


DESCRIPTION:

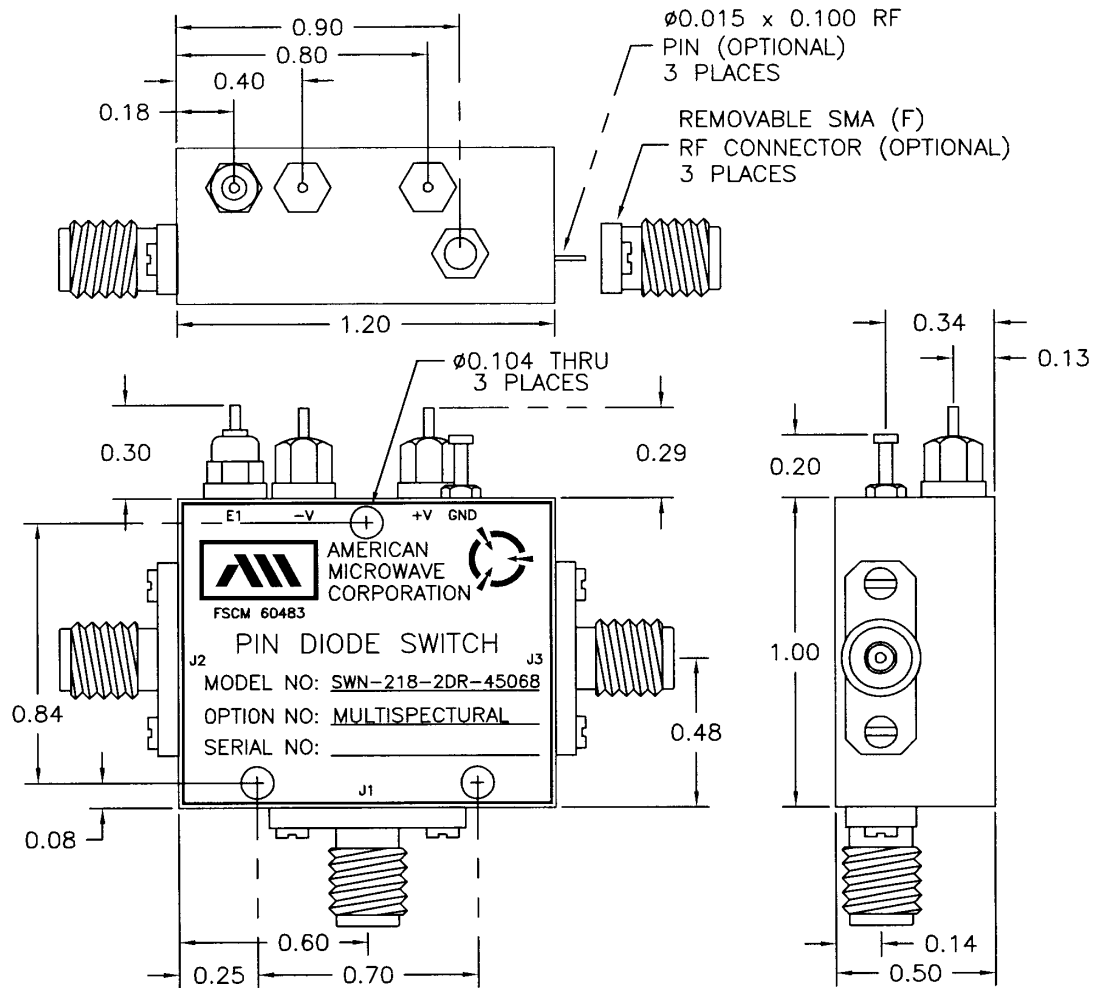
AMC MODEL SWN-218-2DR-45068-MULTISPECTRAL IS A SINGLE POLE TWO THROW, REFLECTIVE SWITCH MODULE WITH VERY LOW INSERTION LOSS, LOW ISOLATION AND WITH INTEGRAL TTL DRIVER, CAN HANDLE VERY HIGH POWER OF 100 WATTS, DESIGNED FOR NARROW BAND OPERATIONS.

SPECIFICATIONS:

- FREQUENCY: 0.1 GHz TO 2 GHz
- INSERTION LOSS: 1.5 dB
- ISOLATION: 40 dB MINIMUM
- VSWR: 2.0:1
- SPEED: DELAY ON <1 uSEC MAXIMUM (50% TTL TO 90% RF)
..... DELAY OFF <1 uSEC MAXIMUM (50% TTL TO 10% RF)
- POWER INPUT: (CW)+20dBm (STANDARD), +10 dBm (HIGH SPEED)
- POWER HANDLING: 100 WATTS CW
- CONTROL: TTL LOGIC "0"= J1-J2 ON "1"= J1-J3 ON
- POWER SUPPLY: +5V @ 100 mA MAXIMUM
..... -15V @ 80 mA MAXIMUM
- CONNECTORS:
RF SMA FEMALE
CONTROL SOLDER PIN
- SIZE: 1.20" (L) x 1.00" (W) x 0.50" (H)
- WEIGHT: 1.5 OUNCE TYPICAL



REVISIONS				
ZONE	REV.	DESCRIPTION	DATE	APPROVED
	1	ORIGINAL RELEASE, JOB# 70468E-1	10/27/09	



CONFIDENTIAL AND PROPRIETARY

ENVIRONMENTAL RATINGS:

- TEMPERATURE: -55°C TO +85°C (OPERATING)
..... -65°C TO +125°C (STORAGE)
- HUMIDITY: MIL-STD-202F, METHOD 103B COND. B
- SHOCK: MIL-STD-202F, METHOD 213B COND. B
- VIBRATION: MIL-STD-202F, METHOD 204D COND. B
- ALTITUDE: MIL-STD-202F, METHOD 105C COND. B
- TEMPERATURE CYCLE: MIL-STD-202F, METHOD 107D COND. A

ALL DIMENSIONS ARE IN INCHES
TOLERANCES:
X.XX ±0.020
X.XXX ±0.010

NOTE: THE ABOVE SPECIFICATIONS ARE SUBJECT TO CHANGE OR REVISION

APPROVALS		DATE	AMERICAN MICROWAVE CORPORATION FREDERICK, MARYLAND		
DRAWN		10/27/09	TITLE PRODUCT FEATURE		
CHECKED			SWN-218-2DR-45068-MULTISPECTRAL SOLID STATE SWITCH		
ISSUED			SIZE	FSCM NO.	DWG NO.
			A	60483	100-6792
			SCALE	SHEET 1 of 3	
			N/S		